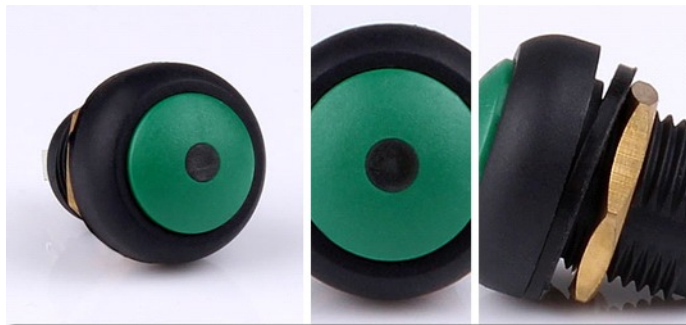





Miniature Pushbutton -waterproofed-



Contitec Electronics Ltd.
Martin-Kollar-Str. 4
81829 München/Germany
Tel. +49 89 99818630
Email: sales@contitec.com

Contitec Electronics Ltd.
20010 Marcallo Casone/Italy
Tel. +36 02 9725 4269
eMail: sales@contitec.com

Contitec Electronics Ltd.
1182 Budapest/Hungary
Tel. +36 1 281 5099
eMail: sales@contitec.com

	Titel	Part Number	Revision
	Miniature push button	PB12-Series	V1.21

Miniature pushbutton switch

Features

Illuminated or non-illuminated momentary pushbuttons for harsh environments, sealed to IP67 . Round or square actuator, available in many different colors. Available as locking or non-locking type. Body material plastic.

- Normally open
- Actuator colors red/green/blue/yellow/orange/white/gray/black
- LED colors red/green/yellow/blue/white
- Actuator shape round-curved; round-flat, flat
- Acutator optional with marking
- Variety of terminal options
- Waterproof IP67
- Termination soldering or wire



Specification

Series	PB12
Diameter	12 mm
Ratings	2A/250V 3 A/125V
Electrical life	200.000 cycles
Mechanical life	1.000.000cycles
Operating force	< 6N
Contact resistance	< 50 MOhm
Isollation resistance	> 100 MOhm
Wtihstand Voltage	1000V 50/60 Hz , last for 1 min
Installation methode	Casing assembly, Diameter 12.5mm
Temperature range	- 25 + 80C
Material body	PBT
Waterproof level	IP67


Actuator shapes



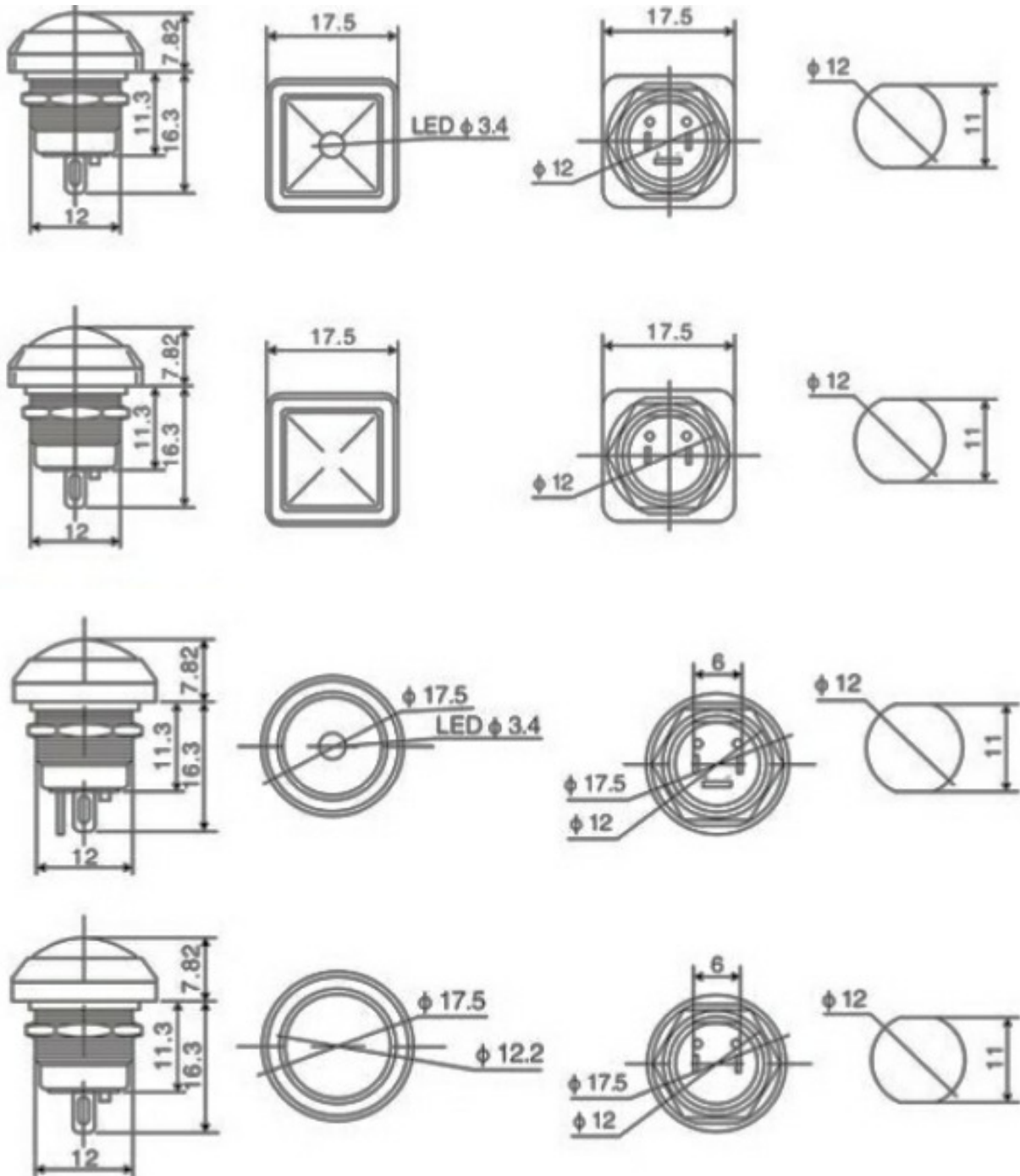
round


round-flat

flat

	Titel	Part Number	Revision
	Miniature push button	PB12-Series	V1.21

Drawings: PB612x



	Titel	Part Number	Revision
	Miniature push button	PB12-Series	V1.21

Odering Information:

- | | | | | | | | | | |
|---|---|---|---|---|---|---|---|---|----|
| 1 | 2 | 3 | 4 | 5 | 6 | 7 | 8 | 9 | 10 |
|---|---|---|---|---|---|---|---|---|----|

Series	Size	Material	Terminal	Form	Function	LED color	Actuator color	Actuator shape
PB	12= 12mm	P=platic	S=sollder	R= round	M=Momentary	N=none	R=red	1=round-domded
		M=metal matte	W=lead wire	S= Square	S=self-lcoking	R=red	G=green	2=round-flat
		MB=metal black				G=green	Y=yello	3=flat
		MS=metal shiny				Y=yellow	B=blue	
							B=blue W=white	W=white O=orange K=black

